

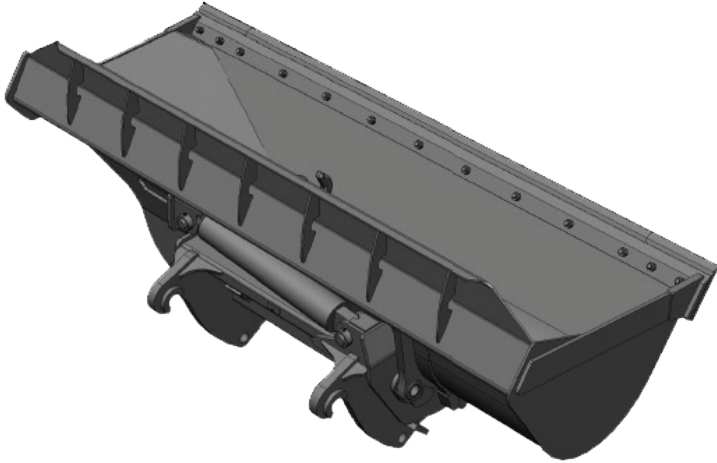


# Heavy Construction **ATTACHMENTS**

# GEM

## SD

## **SIDE DUMP BUCKET**



- Parallel side-dumping when there is less room available to manipulate your machine.
- Unique capability provides increased cycle times as well as reduced fuel cost.
- Ideal for work in confined places such as tunnels, large sewers, congested city streets and commercial farms.
- Forty-Five degree dump angle side shoot w/inner angle plate to better control the material for feather feeding or fast feeding materials.
- Third function loader hydraulics and jumper hose kit required for operation.

Available Quick Coupler and Pin-On Style Mounting

