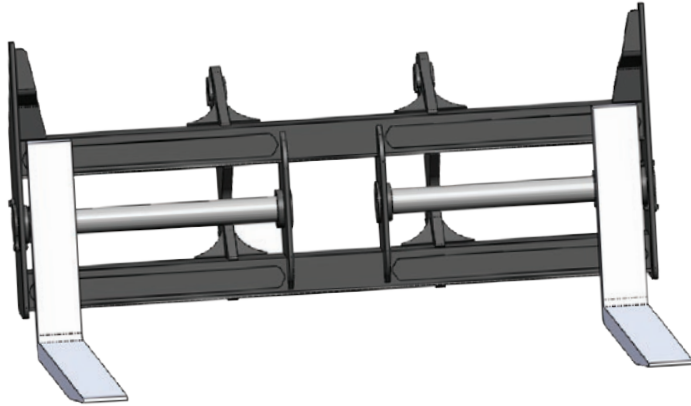




Heavy Construction ATTACHMENTS

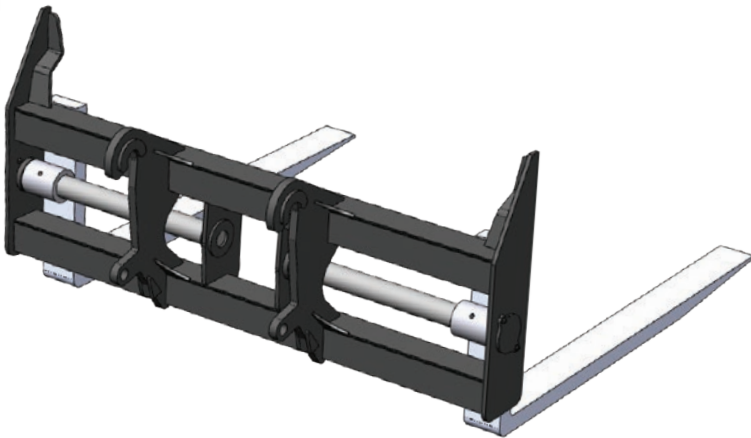
GEM

PF PIPE FORKS



- Wide frame design for load stability.
- Increased diameter tine bar for maximized lift capacity.
- Heavy duty tine size.
- High back tine for no tine swing out.

Available as Quick Coupler or Pin-On Style Mounting.



CLASS	CARRIAGE WIDTH	TINE DIMENSION	ROUND BAR DIAMETER	TINE LENGTH	FRAME HEIGHT
30-50	102"	2.5' x 6"	4"	72" – 96"	55"
60	102"	3' x 7"	4"	72" – 96"	50"
70-80	102"	3.5' x 8"	5"	72" – 96"	50"