

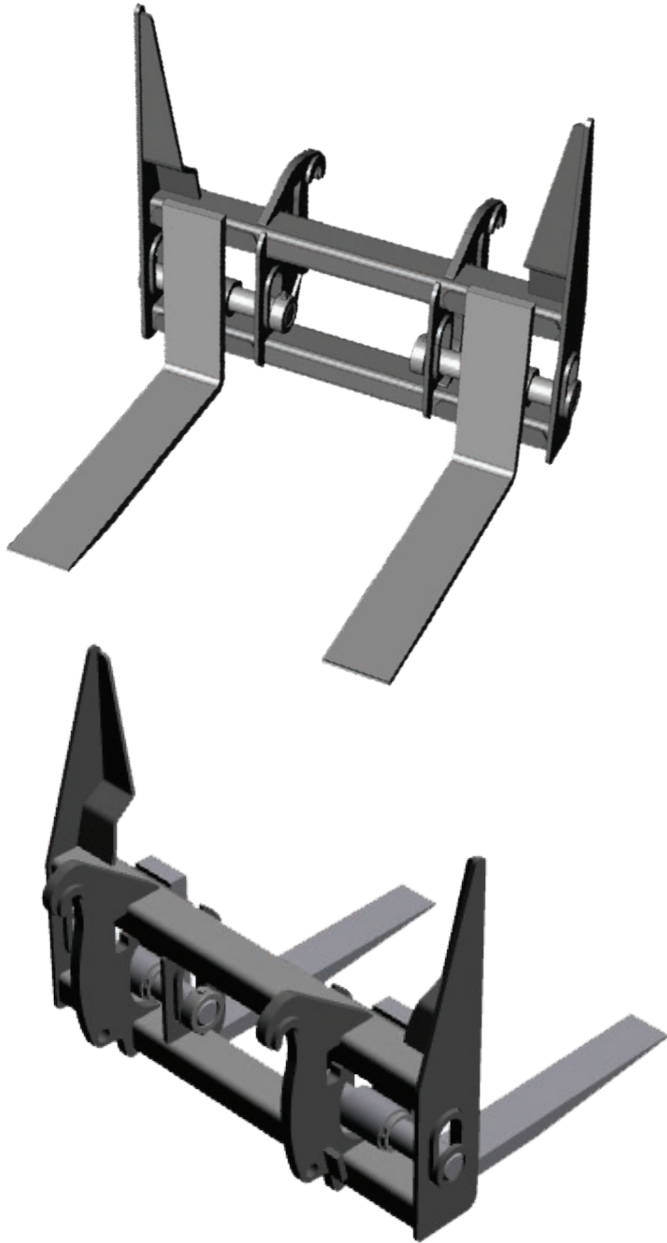


Heavy Construction **ATTACHMENTS**

GEM

LLF

LOG & LUMBER FORKS



- High Visibility carriage delivers improved site lines at ground and truck height.
- Tine and carriage construction designed to withstand logging applications & load shifting.
- Individual floating tine design available for uneven terrain applications.
- Special design carriage widths and tine lengths available.

Available Quick Coupler and Pin-On Style Mounting