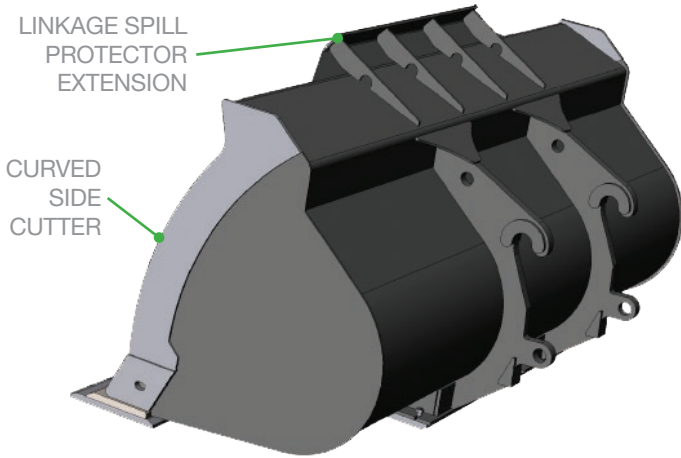
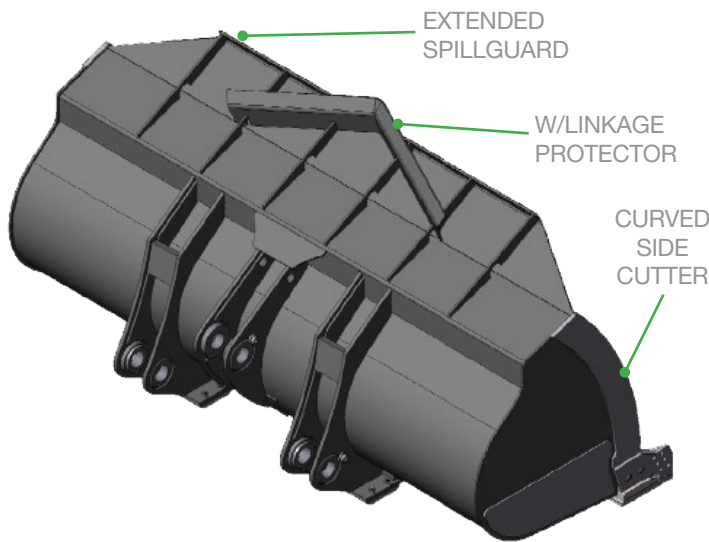




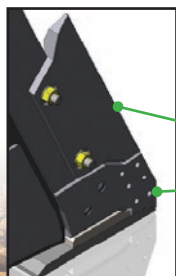
# Heavy Construction ATTACHMENTS



FOR 1.50YD – 3.75YD BUCKETS



FOR 4.00YD – 8.00YD BUCKETS



### OPTIONS:

SIDE CUTTER (SC)

CORNER BIT PROTECTOR (CBP)

## GPPR

# GENERAL PURPOSE PERFORMANCE BUCKET

- GEM General Purpose Performance Buckets are specially designed for maximum heap capacity and load retention.
- The Curved Side Cutter/Side Plate has the performance designed profile and special design full corner spill guard preventing additional material spillage.
- The improved fill rate design increases machine performance and the improved load times will increase jobsite productivity, along with reducing fuel consumption.
- Drilled to accept OEM Edges and Teeth.

Available as Quick Coupler and Pin-On Style Mounting.